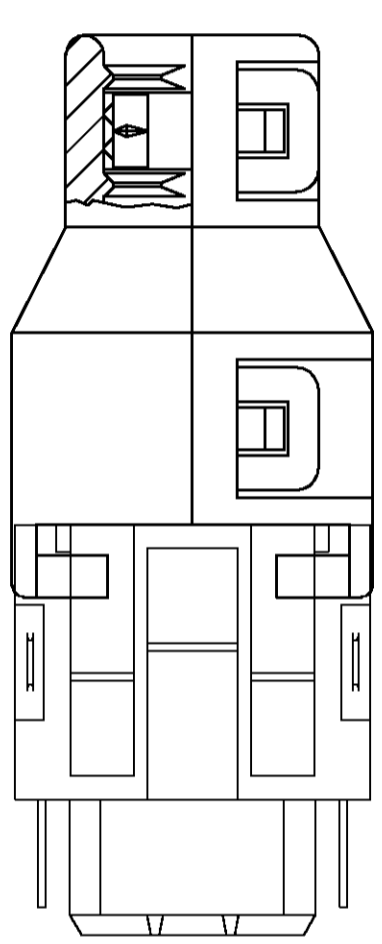
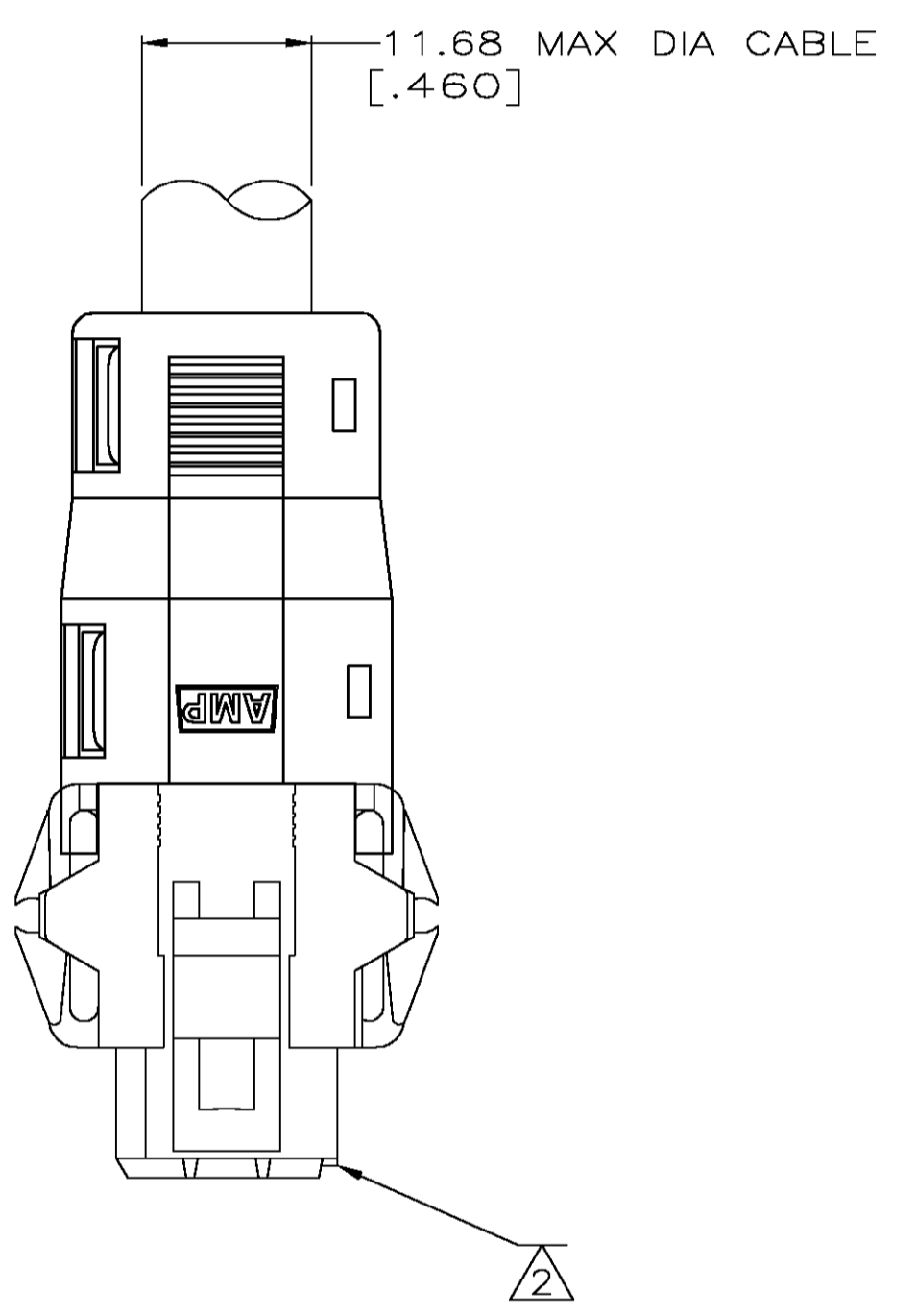
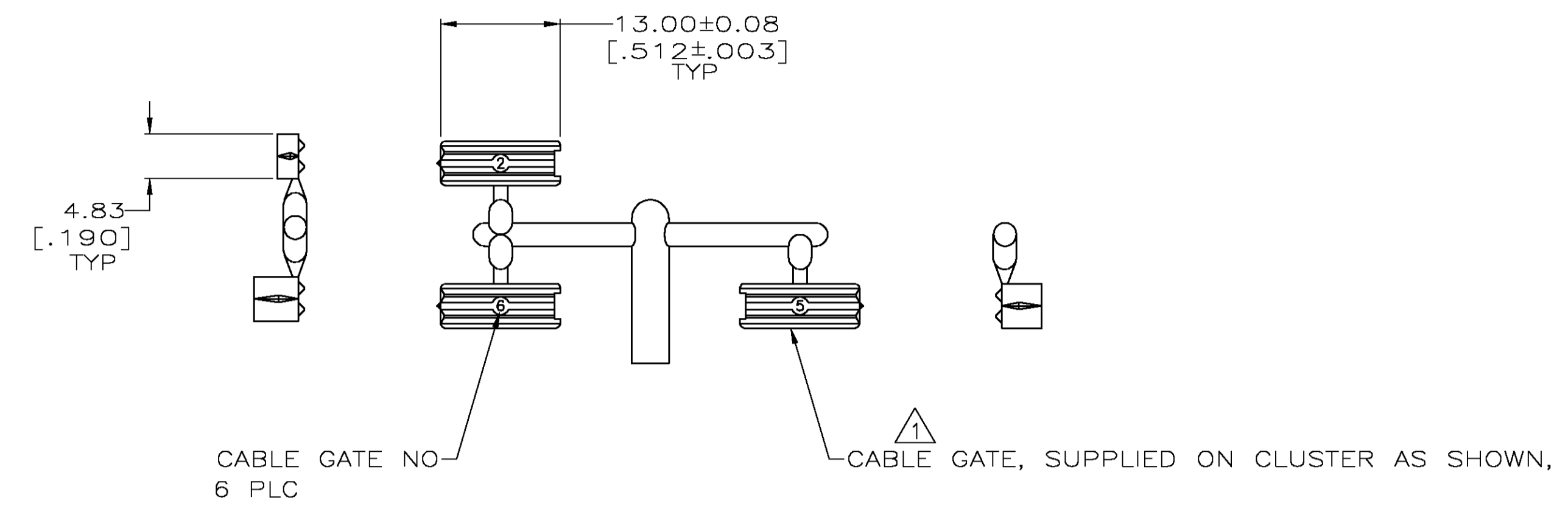
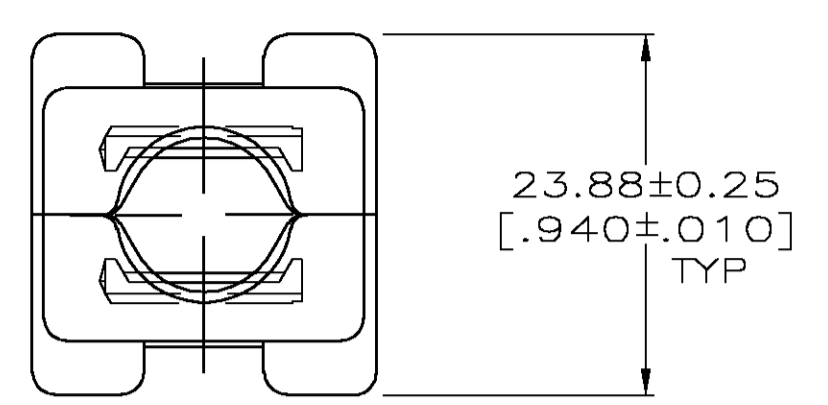
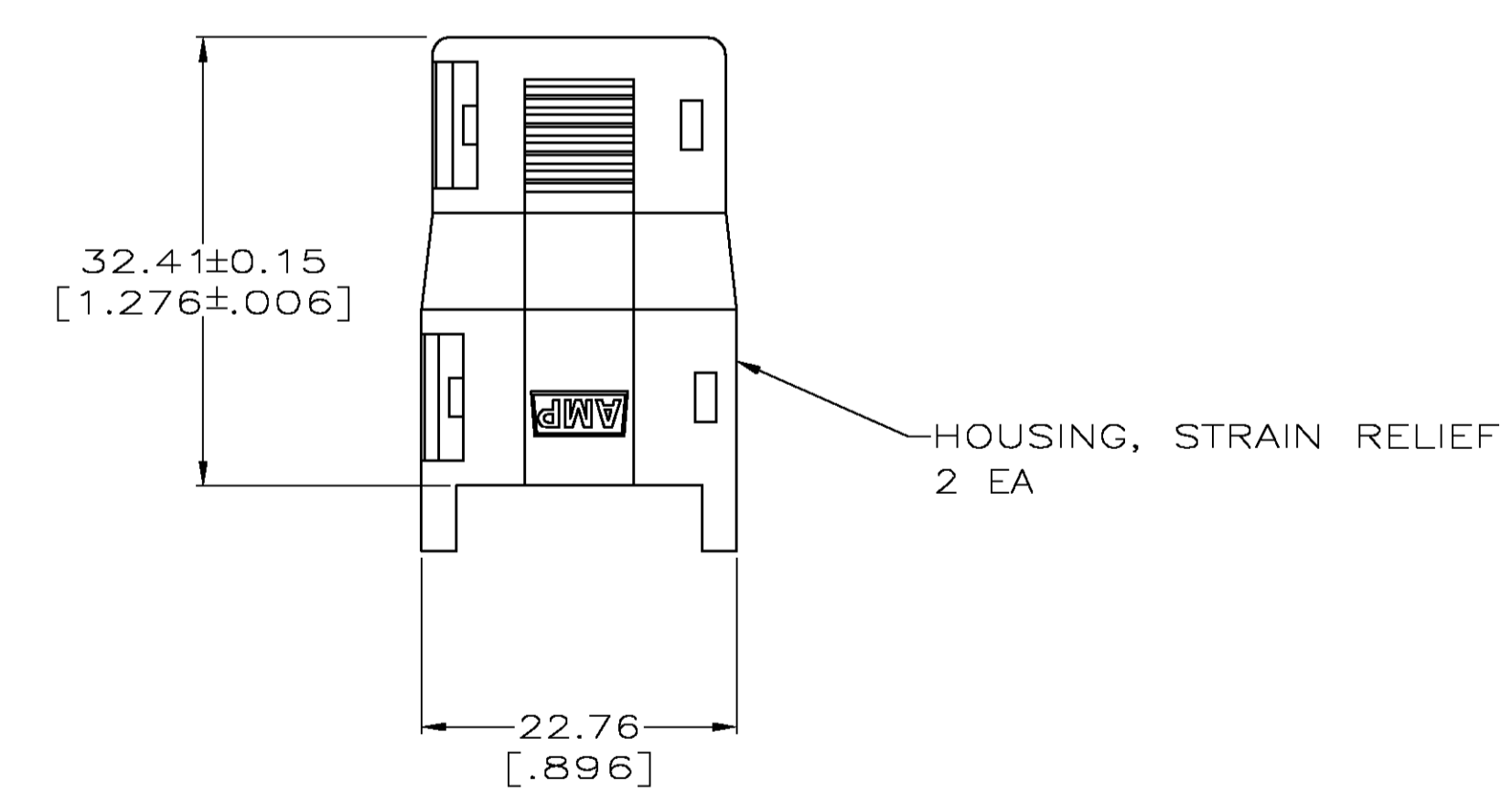
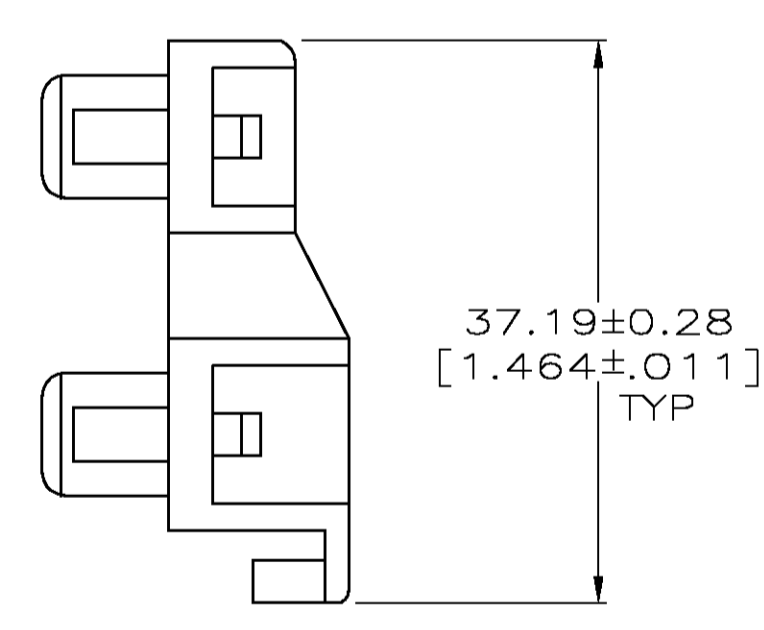


LOC		DIST		REVISIONS			
F	LTR	DESCRIPTION	DATE	DNW	APVD		
D		REVISED PER 063B-1122-04	12/1/04	SS	GS		



ASSEMBLED VIEW



- ▲ A VARIETY OF CABLE GATES ARE PROVIDED TO ACCOMMODATE A VARIETY OF CUSTOMER CABLE SIZES.
- ▲ PLUG SHOWN FOR REFERENCE ONLY, STRAIN RELIEF CAN BE USED ON EITHER PLUG OR RECEPTACLE.

207601-1
PART NUMBER

THIS DRAWING IS A CONTROLLED DOCUMENT.		DNW J. McCLINTON 1-27-92	Tyco Electronics Corporation Harrisburg, Pa 17105-3608
DIMENSIONS: INCHES		CHK R. STONE 1-29-92	
TOLERANCES UNLESS OTHERWISE SPECIFIED:		APVD -	NAME
0 PLC ± -	PRODUCT SPEC	STRAIN RELIEF KIT, UNASSEMBLED, 9 POSITION, METRIMATE	
1 PLC ± -	APPLICATION SPEC	108-10033	
2 PLC ± ± 0.13(.005)	SIZE	CAGE CODE	DRAWING NO
3 PLC ± -	WEIGHT	A1	00779
4 PLC ± -	MATERIAL	NYLON, NATURAL RED	
ANGLES ± -	FINISH	-	
CUSTOMER DRAWING		SCALE	2:1
		SHEET	1 OF 1
		REV	D